



# HENRY<sup>®</sup>

Made in America, Or Not Made At All

## Henry Lever Action .22LR / .22 MAG / .17HMR *Instruction Manual For All H001 Series Rifles*



**Warning: You cannot use .22LR cartridges in a .22 Magnum rifle, and you cannot use .22 Magnum cartridges in a .22LR rifle.**

**Important:** Study this instruction manual carefully before you handle this firearm.



## HENRY<sup>®</sup>

Made in America, Or Not Made At All

IS A REGISTERED TRADEMARK  
OF THE HENRY REPEATING ARMS COMPANY

TEL. **201-858-4400** | FAX. **201-858-4435**

EMAIL. **info@henryrepeating.com**

WEBSITE. **www.henryrepeating.com**

**Made in America**



**WARNING: BEFORE USING FIREARM, READ AND FOLLOW THESE INSTRUCTIONS.**

If there is anything you do not understand,  
get help from someone qualified to teach the safe handling of firearms.

# Welcome and Introduction

## Welcome and Introduction



**Benjamin Tyler Henry.**  
His invention: The Henry Rifle.

Thank you for purchasing your new Henry Lever Action Rifle. We are proud to have crafted this rifle for you in the great tradition of Henry Repeating Arms Company which dates back to 1860 when the first effective, lever-action repeating rifle was developed by our founder, Benjamin Tyler Henry. We go to great efforts to provide the highest quality of design, craftsmanship, manufacture and function that was established over 140 years ago. Your new Lever Action Rifle should provide you and your family with many years of safe enjoyment and pride of ownership.

It is imperative that the following cautions and operating instructions be thoroughly studied and understood before using your new rifle, in order to insure proper and safe gun handling. Failure to follow these cautions, warnings and operating instructions could result in damage to your gun or to other property or could result in injury or death to yourself or to others.

### **IMPORTANT**

Before it left the factory this firearm was tested, carefully inspected and packaged. Henry RAC cannot control product handling after it leaves the factory. Therefore, please examine this firearm carefully at the time of purchase to insure that it is unloaded and undamaged. The dealer will be pleased to assist you in making this examination and will endeavor to answer any questions you may have.

This instruction manual should always accompany this firearm. When you lend, give or sell this firearm, be sure this manual goes with it.

## **SIMPLE LIMITED LIFETIME WARRANTY**

Henry Repeating Arms Company stands behind its products as it has historically. We offer a simple limited lifetime warranty. If you have a problem with a Henry rifle, and it is our fault, we will fix it at any time, and at no charge. The warranty does not cover excessive wear and tear to parts, or accidental damage to parts.

## **NOTICE**

Henry RAC shall not be responsible for injury, death, or damage to property resulting from either intentional or accidental discharge of this firearm, or from its function when used for purposes or subjected to treatment for which it was not designed. Henry RAC will not honor claims involving this firearm which result from careless or improper handling, unauthorized adjustment or parts replacement, corrosion, neglect, or the use of wrong caliber ammunition, or the use of ammunition other than original, high quality, commercially manufactured ammunition in good condition, or any combination thereof. Henry RAC will not honor claims involving this firearm for any reason or cause when such claims are made by the second or subsequent owner.

Whether or not you are experienced in the safe handling of firearms, we urge you to read this entire instruction manual carefully. You must follow the safety instructions for your safety and the safety of others. Should you have any questions concerning the instructions in this manual, please call us at 201-858-4400.

**WARNING:** If you have little or no experience in the safe handling and operation of a firearm, we strongly urge you to take a firearms safety course from an NRA Certified Instructor or from someone with equivalent qualifications prior to using this or any other firearm. You can contact the NRA Firearms Education and Safety Division at 703-267-1470 for the name of an instructor in your area.

## Table of Contents

Warranty .....	3
Handling Cautions .....	4
Shooting Cautions .....	5
Cleaning Cautions .....	6
Storage .....	6
<b>Operating Instructions</b>	
How To Use the Safety .....	7
How To Load Your Henry .....	8
How To Operate Your Henry .....	9
How To Unload Your Henry .....	9
How To Adjust Your Sights .....	9
How To Clean Your Henry .....	10
Maintenance .....	10
Parts .....	11

---

## CAUTIONS:

### GENERAL HANDLING CAUTIONS

1. ALWAYS HANDLE YOUR FIREARM AS IF IT WERE LOADED so that you never fire it accidentally when you think it is unloaded.
2. NEVER POINT YOUR FIREARM AT ANYTHING YOU DO NOT INTEND TO SHOOT so that if it fires accidentally, injury, death, or damage to property will be avoided.
3. NEVER TAKE ANYONE'S WORD THAT A GUN IS UNLOADED. Check for yourself with fingers off the trigger and gun pointed in a safe direction so that you never fire the gun accidentally when you think it is unloaded.
4. ALWAYS CHECK TO MAKE SURE YOUR FIREARM IS NOT LOADED WHEN HANDING IT TO ANOTHER PERSON.
5. ALWAYS KEEP AND CARRY YOUR FIREARM EMPTY WITH THE HAMMER IN THE "SAFE" POSITION except when you intend to shoot, so that your firearm cannot be fired when you do not intend to fire it.
6. ALWAYS BE AWARE OF POSSIBLE RISK FROM DROPPING YOUR FIREARM. Some parts of the mechanism could be damaged. You may not see the damage, but it is severe. The firearm may discharge and cause injury, death, or damage to property. If your firearm has been dropped, have it examined by a competent gunsmith before using it again.
7. NEVER LEAVE A FIREARM COCKED AND READY TO FIRE, as this condition is extremely dangerous and the firearm could easily be accidentally discharged, causing injury, death, or damage to property.
8. NEVER LEAVE A LOADED FIREARM UNATTENDED. Someone, especially a child, may fire it and cause injury, death, or damage to property.
9. ALWAYS INSTRUCT CHILDREN TO RESPECT FIREARMS. If you teach your children to shoot or get them trained by a qualified instructor, be certain they know how to use the firearm properly and always supervise them closely. Always stress safety so that your children will not fire a rifle when or where it is unsafe to do so.

### RANGE CAUTIONS

10. Always be sure your backstop is adequate to stop and contain bullets before beginning target practice so that you do not hit anything outside the range shooting area. Think! What will you HIT if you Miss the target?
11. ALWAYS PUT A KNOWLEDGEABLE AND RESPONSIBLE PERSON IN CHARGE TO MAINTAIN SAFETY CONTROL WHEN A GROUP IS FIRING ON A RANGE. Obey his commands so that discipline is maintained to reduce the possibility of accidents.
12. ALWAYS CARRY YOUR FIREARM EMPTY WITH THE ACTION OPEN WHILE ON A RANGE until preparing to fire and keep it pointing towards the backstop when loading, firing, and unloading to eliminate the risk of injury, death or damage to property.

---

## LOADING/UNLOADING CAUTIONS

13. ALWAYS BE SURE BARREL, BORE, CHAMBER, AND ACTION ARE CLEAN AND CLEAR OF OBSTRUCTIONS. Clean a fouled firearm immediately so that it will function correctly and safely.
14. ALWAYS USE ONLY CLEAN, DRY, HIGH-QUALITY, COMMERCIALY MANUFACTURED AMMUNITION IN GOOD CONDITION AND APPROPRIATE TO THE CALIBER OF YOUR FIREARM. Gun and ammunition manufacturers design their products within exacting engineering safety limits. Handloads and remanufactured ammunition are sometimes outside those limits and could blow up the chamber, bolt and receiver of any firearm and cause injury, death or damage to property.

## SHOOTING CAUTIONS

15. NEVER DRINK ALCOHOLIC BEVERAGES OR TAKE DRUGS BEFORE OR DURING SHOOTING as your vision, coordination, and judgement could be seriously impaired, making your gun handling unsafe.
16. ALWAYS SEEK A DOCTOR'S ADVICE IF YOU ARE TAKING MEDICATION to be sure you are fit to shoot and handle your firearm safely.
17. ALWAYS WEAR AND ENCOURAGE OTHERS TO WEAR EAR PROTECTION WHEN SHOOTING, especially on a range. Without ear protection, the noise of even one shot from your rifle and from other guns close to you could leave a "ringing" in the ears for some time after firing and the cumulative long term effect could be permanent hearing loss.
18. ALWAYS WEAR AND ENCOURAGE OTHERS TO WEAR PROTECTIVE SHOOTING GLASSES. Flying particles could damage eyes and cause blindness. Protective shooting glasses can prevent such an injury.
19. ALWAYS KEEP THE HAMMER IN THE "SAFE" POSITION UNTIL YOU ARE READY TO FIRE. This will minimize the risk of an accidental discharge.
20. ALWAYS KEEP CLEAR AND KEEP OTHERS CLEAR OF THE EJECTION PORT. Spent cartridges are ejected with enough force to cause injury. The ejection port must also be unobstructed by your hand to insure safe ejection of spent rounds. Never place fingers in ejection port - they could be burned by hot metal or injured by the bolt moving forward.
21. NEVER PUT YOUR FINGER INSIDE THE TRIGGER GUARD UNTIL YOU ARE AIMING AT A TARGET AND READY TO SHOOT. This will prevent you from firing the firearm when it is pointing in an unsafe direction.
22. ALWAYS BE ABSOLUTELY SURE OF YOUR TARGET AND THE AREA BEHIND IT BEFORE YOU SQUEEZE THE TRIGGER. A bullet could travel through or past your target for up to 1½ miles. If in doubt, don't shoot! Think! What will you HIT if you MISS the target?
23. NEVER SHOOT AT A HARD SURFACE SUCH AS ROCK OR A LIQUID SURFACE SUCH AS WATER. A bullet may ricochet and travel in any direction to strike you or an object you cannot see, causing injury, death or damage to property.
24. NEVER DISCHARGE A FIREARM NEAR FLAMMABLE MATERIAL. Flame and sparks erupt from the firearm when discharged. They could start a fire or cause flammable liquids and gasses to explode.
25. NEVER FIRE YOUR FIREARM NEAR AN ANIMAL unless it is trained to accept the noise - an animal's startled reaction could injure it or cause an accident.
26. NEVER INDULGE IN "HORSEPLAY" WHILE HANDLING YOUR FIREARM because doing so could cause an accidental discharge.

---

27. NEVER WALK, CLIMB, OR FOLLOW A COMPANION WITH YOUR FIREARM COCKED AND READY TO FIRE to eliminate risk of accidental discharge. When hunting, hold your firearm so that you can always control the direction of the muzzle.

## MALFUNCTION CAUTIONS

28. **FAILURE TO FIRE:** IF THE FIREARM FAILS TO FIRE DO NOT PUT IT DOWN OR OPEN THE ACTION. ALWAYS HOLD THE FIREARM, KEEPING IT POINTED IN A SAFE DIRECTION AND WAIT 30 SECONDS. IF A HANGFIRE (SLOW IGNITION) HAS OCCURRED, THE ROUND WILL FIRE WITHIN 30 SECONDS. If the round does not fire, remove the ammunition, eject the round and examine the cartridge. If the firing pin indent on the rim is light or non-existent, have the firearm examined by a competent gunsmith before firing again. If the firing pin indent on the rim appears normal (in comparison with similar previously fired rounds) assume you have faulty ammunition. Segregate the misfired round from other live firearm ammunition and empty cases, reload, and carry on firing.

**Note:** Dispose of misfired rounds in accordance with ammunition manufacturer's instructions.

29. NEVER USE YOUR FIREARM IF IT FAILS TO FUNCTION PROPERLY, AND NEVER FORCE A JAMMED ACTION. Forcing the action could make the round explode, causing serious injury, possible death, or severe damage to your firearm or other property.

## CLEANING AND STORAGE CAUTIONS

30. ALWAYS CHECK TO MAKE SURE YOUR FIREARM IS NOT LOADED BEFORE CLEANING, STORING, TRAVELING, LAYING IT DOWN, OR HANDING IT TO ANOTHER PERSON so that it cannot be fired when it is unsafe to do so.

31. ALWAYS KEEP AND STORE YOUR FIREARM AND AMMUNITION IN SEPARATE, LOCKED LOCATIONS, OUT OF REACH AND SIGHT OF CHILDREN AND UNTRAINED PEOPLE to minimize the risk of rifle and ammunition being easily available for loading and firing by unauthorized persons.

## STORAGE

**CAUTION:** ALWAYS UNLOAD YOUR FIREARM FOR STORAGE AND STORE AMMUNITION SEPARATELY. Keep and store your firearm and ammunition securely locked and in separate locations out of reach and sight of children. Children are naturally curious and do not always understand the real danger of guns.

**NOTE:** Do not store your firearm in an air-tight container, and do not seal or attempt to seal the barrel to exclude dust, as the internal steel surface is more likely to rust or corrode by doing this.

**WARNING:** When you squeeze the trigger, you must expect the gun to fire and you must take full responsibility for firing it. Your care can avoid accidental discharge and you will thereby avoid accidental injury, death and property damage.

**WARNING:** DISCHARGING FIREARMS IN POORLY VENTILATED AREAS, CLEANING FIREARMS OR HANDLING AMMUNITION MAY RESULT IN EXPOSURE TO LEAD, A SUBSTANCE KNOWN TO CAUSE BIRTH DEFECTS,

REPRODUCTIVE HARM AND OTHER SERIOUS PHYSICAL INJURY. HAVE ADEQUATE VENTILATION AT ALL TIMES. WASH HANDS THOROUGHLY AFTER EXPOSURE.

## AMMUNITION SELECTION

Henry RAC Firearms are designed to function with a variety of brands and types of factory-manufactured ammunition in the appropriate caliber but not all ammunition produces the same result. Henry RAC recommends that after you read and understand this manual, you go to the range and fire different ammunition which is appropriate to the caliber of your firearm. Once you find the ammunition which functions best, keep using it. Especially when cutting-edge reliability and accuracy are vital to you. When sighting your rifle, shoot a group to determine point of impact on the target. Then make incremental adjustments to center the point of impact on the target bullseye.

### OPERATING INSTRUCTIONS FOR YOUR HENRY LEVER ACTION .22LR / .22MAG / .17HMR RIFLE



**CAUTION:** Always keep the muzzle pointed in a safe direction.

**EXTREMELY IMPORTANT: YOU MUST BECOME THOROUGHLY FAMILIAR WITH KNOWING HOW TO PLACE THE HAMMER INTO THE SAFETY POSITION WITH THE TRIGGER LOCKED. YOU MUST PRACTICE THIS PROCEDURE SEVERAL TIMES WITH AN UNLOADED RIFLE TO BECOME THOROUGHLY FAMILIAR WITH IT.**

**WARNING:** If you have little or no experience in the safe handling of firearm, we strongly urge that you take a firearms safety course from an NRA certified instructor or someone with equivalent qualifications. You can contact the NRA Firearms Education and Safety Division at 703-267-1470 for the name of an instructor in your area.

**YOU MUST BECOME THOROUGHLY FAMILIAR WITH THE FOLLOWING PROCEDURE. DO NOT ATTEMPT TO OPERATE THIS FIREARM UNLESS YOU KNOW HOW TO PLACE THE HAMMER IN THE SAFETY POSITION.**

#### HOW TO PLACE THE HAMMER IN THE SAFETY POSITION.

There are two ways to set the hammer into the Safety position. With the gun pointed in a safe direction and the hammer in the fired (down) position, (Figure A-3), cock the hammer back slightly, about 1/16th to 1/8th of an inch, until you feel and hear the hammer click into the Safety position (Figure A-2). The hammer will now be locked into the Safety position and if you pull the trigger to fire, the hammer should not fall.

The second way to set the safety is from the Full-Cock position (Figure A-1). Firmly hold the hammer back with your thumb. While holding the hammer, apply just enough pressure on the trigger to release the hammer from the Full-Cock position. Remove your finger from the trigger very quickly, and slowly lower the hammer into the Safety position.

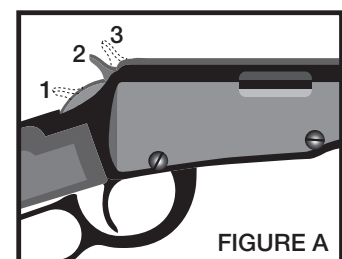


FIGURE A

The hammer will now be locked into the Safety position and if you pull the trigger to fire, the hammer should not fall. The essential maneuver of setting the Safety this way is to remove your finger very quickly from the trigger when dropping the hammer into the Safety position.

**WARNING:** When the chamber is loaded, never place the hammer in the Fired (down) position (Figure A-3).

**WARNING:** The safety is designed to secure the hammer, holding it from contacting the firing pin. However, this mechanism will not necessarily prevent the accidental discharge of this firearm as a result of jarring, abuse or mishandling.

#### HOW TO LOAD YOUR HENRY LEVER ACTION RIFLE

Prior to loading your rifle, make certain that the rifle is not already loaded. Point the muzzle in a safe direction, swing the lever down and thoroughly inspect the magazine end, lifter, chamber and all internal areas of the receiver to ascertain that there are no cartridges present. Then pull the lever back to close it. If a cartridge ejects, proceed with directions on how to unload the magazine tube and empty and clear the chamber. We recommend that you always load a completely unloaded firearm and clear the firearm of any cartridges prior to loading.

**WARNING:** Do not load the rifle with the action open.

Assuming that you are now handling an unloaded firearm, make certain that the barrel, receiver, and chamber are free of any grease, oil debris, or any other obstruction.

**WARNING:** YOU CANNOT USE .22LR CARTRIDGES IN A .22 MAGNUM RIFLE AND YOU CANNOT USE .22 MAGNUM CARTRIDGES IN A .22LR RIFLE. .17HMR AMMUNITION CANNOT BE USED IN .22 CALIBER RIFLES.



#### .22 LONG Rifle

If you purchased a Henry Lever Action .22 Long Rifle, make certain that the ammunition you are about to use is .22 rimfire caliber, .22 Long Rifle, .22 Long or .22 Short. The Henry Lever Action can hold 15 rounds of .22 Long Rifle, 17 rounds of .22 Long or 21 rounds of .22 Short.



#### .22 MAGNUM

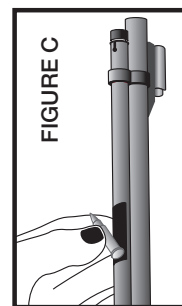
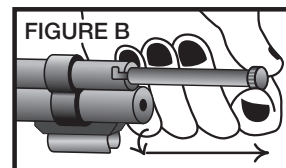
If you purchased a Henry Lever Action .22 Magnum, make sure that the ammunition you are using is .22 WMR. The capacity for the Henry Lever Action .22 Magnum is 11 rounds.

**DO NOT USE CB OR BB CAPS (SHOTSHELLS) IN ANY OF THE ABOVE**

To load the magazine tube, first place the hammer in the Safety position.

Important: Now, while holding the hammer back with your thumb, apply just enough pressure on the trigger to release the hammer from the Full-Cock position (Figure A-1), and immediately and simultaneously remove your finger from the trigger. Slowly and carefully allow the hammer to lower into the Safety position. You are now ready to load.

Twist the inner magazine tube by disengaging the magazine button (Figure B) and pulling the tube out until the orange-colored follower (black for magnums and .17's) is visible through and clears the loading port in the outer magazine tube. With the muzzle pointed upward, insert the rimmed end of the cartridges into the magazine (Figure C) and allow them to slide down toward the action. Do not exceed the capacity of the magazine. Next, push the





inner magazine tube back down into position and lock it into place. Please be careful when pushing the inner magazine tube in, as it is under spring tension.

The rifle is now ready for operation.

### HOW TO **OPERATE YOUR HENRY LEVER ACTION .22LR / .22MAG / .17HMR RIFLE**

The rifle chamber can now be loaded by swinging the lever down completely and pulling it back to the closed position. Important: The rifle is now set to fire. The hammer has been moved from the Safety position, to the Full-Cock position. Always place the hammer back into the Safety position until you are ready to fire. When ready to fire, take the hammer from the Safety position by firmly gripping the hammer with your thumb and drawing the hammer back into Full-Cock position.

You are now ready to fire. Take aim, making certain that you are firing in a safe environment and that neither you nor any other person is in danger. When on target, squeeze the trigger.

To chamber the next round, swing the lever down completely and pull it back to the closed position. This process will eject the fired cartridge case from the chamber and transfer a new cartridge from the magazine to the chamber. Important: This leaves the hammer in a fully-cocked, ready-to-fire position. If you are not ready to fire, put the hammer into the Safety position as previously instructed.

When through firing, always place the hammer in the Safety position. Always unload your gun when you have finished shooting, making certain that the magazine and chamber are empty before putting your gun away.

### HOW TO **UNLOAD THE MAGAZINE AND CHAMBER OF YOUR HENRY LEVER ACTION .22LR / .22MAG / .17HMR RIFLE**

To unload the magazine and chamber, the hammer should be resting in the safe (down) position (Figure A-2). With the rifle pointing upward, completely withdraw the inner magazine tube from the gun. Tip the gun downward, allowing the cartridges to slide out into a suitable container. Replace the inner magazine tube. Open the action again, making sure there are no cartridges in the chamber or receiver.

**SIGHT ADJUSTMENTS** - Adjust the rear sight to shoot higher or lower, as well as to adjust for windage (left and right). Your rifle can be adjusted to shoot higher by moving the rear sight elevator (part 27) towards you by one or more notches. In order to shoot lower, the elevator should be moved away from you. To adjust your rifle for windage (left & right), you need to tap the rear sight to the left or right as desired. If you are shooting to the left, you need to move the rear sight to the right and vice versa. A minor adjustment will correct the point of impact.



The base of the rear sight is dove-tailed into a groove on the barrel. To make horizontal adjustments, the entire dove-tailed base must be moved right or left in its slot on the barrel. To do this, carefully use a brass punch or nylon punch, slightly pointed but having a flat point appropriate in size to properly engage the left or right end of the sight base where it slides in the groove on the barrel. Gently tap the dowel with a light hammer and be very careful not to mar or damage the barrel or



---

sight base. To help you determine how far you have moved the sight, right or left, a soft pencil can be used. The front edge of the rear sight base comes to a point where it rests on the barrel. At the point of the sight base, lightly make a small mark with the pencil and carry it straight down to make a small adjoining mark on the barrel. This will show you how far to the right or left you have moved the sight base. When your adjustments are completed, the marks can easily be wiped off with a lightly-oiled, soft cloth.

## HOW TO **CLEAN YOUR HENRY LEVER RIFLE**

Make certain to clean your rifle after firing. We suggest that you purchase a current, name brand, top quality rifle cleaning kit. Make sure that the rifle is unloaded, and open the action. Using a cleaning rod with a lightly oiled patch, run the rod from the muzzle end of the barrel down toward the breech area, cleaning the chamber. Use a cleaning swab to remove all debris from the chamber as well as the face of the bolt and breach. It is important to make certain that there is no debris in the chamber or on the face of the bolt and breach. Alternatively you can purchase Otis Cleaning Kit, Dewey Cleaning Kit, or Hoppes Boresnake and clean from the chamber end to the muzzle. The balance of the bolt assembly and action are maintenance free.

**IMPORTANT – PLEASE NOTE THAT IT IS NOT NECESSARY TO TAKE YOUR HENRY LEVER ACTION APART TO KEEP IT CLEAN. SHOULD YOU WISH TO TAKE IT APART, YOU MUST UNSCREW THE RECEIVER COVER TANG SCREW (PART #50) AND REMOVE THE BUTTSTOCK FIRST. THEN UNSCREW THE FOUR RECEIVER COVER SCREWS (PART #42) AND LIFT OFF THE RECEIVER COVER WHICH WILL EXPOSE THE INTERNAL PARTS.**

**IMPORTANT - DO NOT USE AGGRESSIVE SOLVENTS SUCH AS GUN SCRUBBER. USE ONLY MILD SOLVENTS SUCH AS BREAKFREE, KLEENBORE, OR HOPPE'S #9 AND A PREMIUM QUALITY GUN OIL.**

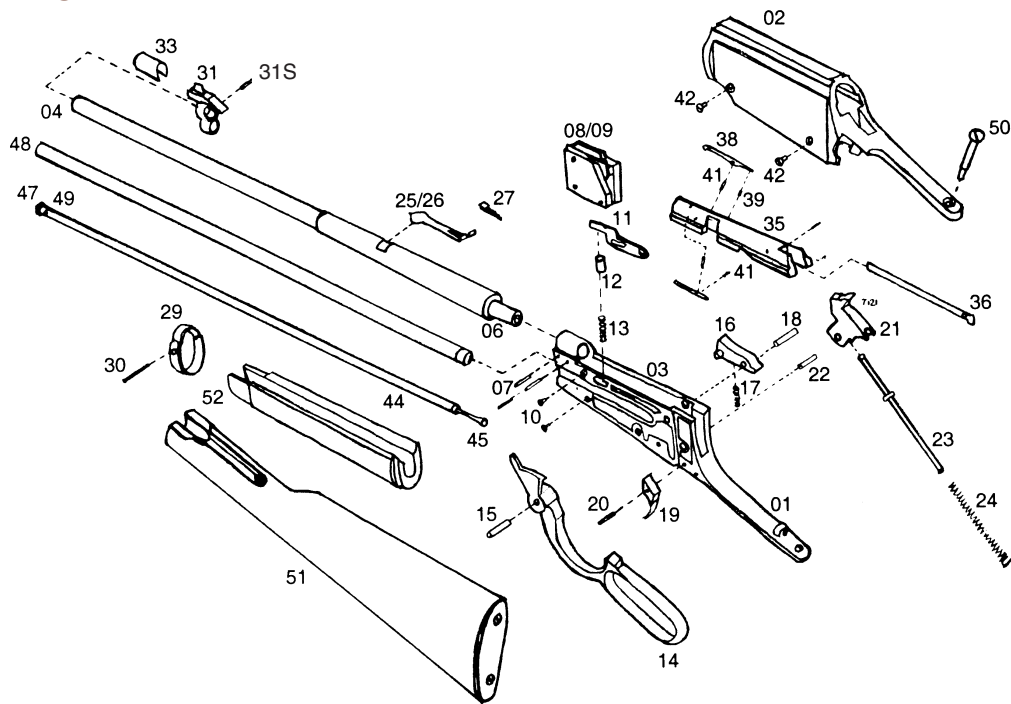
## **MAINTENANCE**

1. Be sure that your gun is unloaded before attempting to clean.
2. The gun owner is responsible for periodic inspection and proper maintenance by a qualified gunsmith to ensure that this firearm remains in proper adjustment and that worn parts are replaced.
3. **CLEANING WARNING: Remember** - Rust is neglect! Make sure all exposed metal surfaces are coated with a film of oil. After being subjected to damp weather, thoroughly wipe the bore and metal surfaces. Then apply a new film of oil. If exposed to a soaking rain, snow or salt, spray a more thorough cleaning and oiling may be necessary, requiring removal of the trigger guard and breech bolt assemblies by a gunsmith.
4. Between seasons, periodically apply a coat of oil to the bore and metal parts and store in a dry place. Do not plug the barrel or store in a case made of fabric or material which will absorb moisture or the lubricant from the gun.
5. Make certain to thoroughly clean your firearm when finished with firing. We suggest that you purchase a name-brand, top quality .22 caliber rifle cleaning kit.
6. Replacement parts are available through the Henry Repeating Arms Company parts department. In the following pages you will find a parts diagram and price list. Please be sure to include the Model Number and serial number of your gun when ordering parts.

### **CLEANING WARNING**

**DO NOT USE AN AGGRESSIVE SOLVENT ON THE RECEIVER COVER. WE SUGGEST THAT YOU USE BIRCHWOOD CASEY GUN SHEATH OR A MILD SOLVENT SUCH AS HOPPE'S NO. 9, KLEENBORE OR BREAKFREE.**

## ILLUSTRATION OF PARTS



## LIST OF PARTS

<b>01</b>	Receiver	<b>19</b>	Trigger	<b>38</b>	Extractor
<b>02</b>	Cover	<b>20</b>	Trigger Spring	<b>39</b>	Spring
<b>03</b>	Carrier Axle	<b>21</b>	Hammer	<b>40</b>	Ejector
<b>04</b>	Barrel	<b>22</b>	Hammer Pin	<b>41</b>	Ejector Pin
<b>06</b>	Cylinder Pin	<b>23</b>	Hammer Guide	<b>42</b>	Cover Screw
<b>07</b>	Taper Pin	<b>24</b>	Hammer Spring	<b>44</b>	Inner Mag Tube
<b>08/09</b>	Carrier	<b>25/26</b>	Rear Sight	<b>45</b>	Magazine Spring Guide
<b>10</b>	Carrier Screw	<b>27</b>	Rear Sight Elevator	<b>46</b>	Magazine Spring
<b>11</b>	Carrier Feed Lever	<b>29</b>	Barrel Band	<b>47</b>	Magazine Button
<b>12</b>	Carrier Tube	<b>30</b>	Barrel Band Screw	<b>48</b>	Outer Tube
<b>13</b>	Carrier Spring	<b>31</b>	Front Sight	<b>49</b>	Notch Pin
<b>14</b>	Lever	<b>31S</b>	Front Sight Screws	<b>50</b>	Stock Screw
<b>15</b>	Lever Pin	<b>33</b>	Sight Cover	<b>51</b>	Buttstock Assembly
<b>16</b>	Lock Bar	<b>35</b>	Bolt	<b>52</b>	Fore End
<b>17</b>	Locking Bar Spring	<b>36</b>	Firing Pin	<b>54</b>	Trigger Pin
<b>18</b>	Locking Bar Pin	<b>37</b>	Firing Pin Spring		

---

## PARTS

An illustration and list of part names are included in this manual. Please note that not all parts are available for sale. Those parts which are available should be installed by a licensed gunsmith. When ordering parts, please give part name and part number.

**Important:** If you make unauthorized adjustments or use unauthorized parts, Henry Repeating Arms Company will not assume responsibility for the proper functioning of the rifle.

THIS GUN IS MANUFACTURED TO PERFORM PROPERLY WITH THE ORIGINAL PARTS AS DESIGNED. IT IS YOUR DUTY TO MAKE SURE ANY PARTS YOU BUY ARE INSTALLED CORRECTLY AND THAT NEITHER REPLACEMENTS NOR ORIGINALS ARE ALTERED OR CHANGED. YOUR GUN IS A COMPLEX MECHANISM WITH MANY PARTS THAT MUST RELATE CORRECTLY TO EACH OTHER. PUTTING A GUN TOGETHER INCORRECTLY OR WITH MODIFIED OR NON-FACTORY ORIGINAL PARTS CAN RESULT IN A DAMAGED GUN, DANGER AND INJURY OR DEATH TO YOU AND OTHERS THROUGH MALFUNCTION. ALWAYS HAVE A QUALIFIED GUNSMITH WORK ON YOUR GUN AND CHECK ANY WORK THAT YOU THINK WAS NOT PERFORMED BY A QUALIFIED GUNSMITH. We at Henry Repeating Arms Company think this is a small price to pay for firearms safety.

## SERVICING AND REPAIR

If you believe that your Henry rifle requires repair or adjustment, we suggest that you first contact our Customer Service by email at [info@henryrepeating.com](mailto:info@henryrepeating.com) or by phone at 201-858-4400. It may be a problem that we can resolve by phone or by sending a replacement part.

In the unlikely event that your firearm requires adjustments or repair, please make certain that it is unloaded and send it to us at the following address:

HRAC  
59 East 1st Street  
Bayonne, NJ 07002  
**Att: Repair Dept.**

Enclose an explanation of the problem in as much detail as possible.

Make certain to include your complete name, address, and daytime telephone number. Make sure that the rifle is packaged to prevent it from being damaged. Insure the package and contents against LOSS OR THEFT.

DO NOT INCLUDE "HENRY REPEATING ARMS" IN THE ADDRESS ON THE PACKAGE, IN ORDER TO PREVENT AN INQUISITIVE THIEF FROM BEING ATTRACTED TO IT BY SUCH INFORMATION.

## NEW PRODUCTS FROM HENRY

Henry Repeating Arms Company will endeavor to introduce and manufacture other fine firearms, all made in America, of high quality and at affordable prices.

Telephone: **201-858-4400** • Facsimile: **201-858-4435**

Email: **[info@henryrepeating.com](mailto:info@henryrepeating.com)** • Website: **[www.henryrepeating.com](http://www.henryrepeating.com)**

