

# OPERATING INSTRUCTIONS

## Desert Eagle Gas Operated Semi-Automatic Pistol

### Mark XIX

USA/IWI Model

Caliber: .50 A.E., .44 Magnum, .357 Magnum



IWI Model

.50 A.E. (DE50W)

.44 Magnum (DE44W)



IWI Model

California Approved

.44 Magnum (DE44CA, DE44CABC)



### **WARNING!**

Read and fully understand this manual before removing this firearm from its package.

THIS PISTOL WILL FIRE IF THE TRIGGER IS PULLED!

The pistol should be considered loaded and ready to fire until the magazine has been removed and the chamber has been checked to verify that the firearm is unloaded.

Be sure to read and fully understand all "Important Safety Instructions" shown in red type.

Discharging firearms in poorly ventilated areas, cleaning firearms, or handling ammunition may result in exposure to lead or other substances known to the State of California to cause birth defects, reproductive harm, and other serious physical injury. Have adequate ventilation at all times. Wash hands thoroughly after exposure.



A Kahr Arms Owned Company

Manufactured/Imported by

**MAGNUM RESEARCH, INC.®**

Factory: 12602 33rd Avenue SW, Pillager, MN 56473

Sales: 508-635-4273 | Fax: 508-795-7046

Support & Service: 508-635-4273 | Fax: 218-746-3097

Website: [www.MagnumResearch.com](http://www.MagnumResearch.com)

Manufactured by

**ISRAEL WEAPONS INDUSTRIES (IWI)**

<u>Contents</u>	<u>Page</u>
1. GENERAL INSTRUCTIONS AND BASIC RULES OF FIREARM SAFETY.....	2
2. GENERAL DESCRIPTION.....	6
3. TECHNICAL DATA.....	7
4. EXPLODED VIEW.....	8
5. PARTS LISTS.....	10
6. SPECIFICATIONS.....	12
7. OPERATING PRINCIPLES.....	14
8. OPERATING INSTRUCTIONS.....	14
9. DISASSEMBLY AND ASSEMBLY.....	18
10. ADDITIONAL ASSEMBLY.....	20
11. CARE AND CLEANING.....	23
12. TROUBLESHOOTING.....	24
13. NOTES ON RELIABILITY.....	26
14. WARRANTY AND LIABILITY EXCLUSIONS.....	26
15. CONTACT AND SHIPPING.....	27
16. LIMITED ONE-YEAR WARRANTY.....	28
• WARRANTY REGISTRATION CARD.....	31

## 1. GENERAL INSTRUCTIONS AND BASIC RULES OF FIREARM SAFETY

Always assume that the Desert Eagle pistol or any other firearm is loaded and capable of being discharged until you (the handler) have personally removed the magazine, inspected the chamber, and completed the unloading procedure as presented on page 17. If this procedure is not followed, the firearm must be considered loaded and capable of being fired. Even after you verify that a gun is unloaded, you should continue handling it as you would a loaded gun, and make sure that others around you do the same.

Never transport a loaded firearm.



**Warning!** Do not handle firearms when you are tired, cold, or impaired physically or mentally in anyway.

- Point the muzzle in a safe direction at all times—a “safe direction” is one in which, if the firearm were to discharge, there would be no injury to anyone. Never point a gun, whether you think it is loaded or unloaded directly at another person or at yourself. Consider that a bullet can ricochet off pavement, floors, walls, rocks, the ground, water, ice or almost any other object it strikes. Also, bullets can penetrate walls, ceilings, floors, doors, windows, and many other materials to kill or injure someone on the opposite side.

### Important Safety Information

**Caution:** Failure to observe safety instructions in this manual can result in property damage, personal injury or death.

**Caution:** Prior to loading and firing, carefully read and understand this instruction manual. It gives basic advice on the proper handling and functioning of the Desert Eagle pistol.

### Important Safety Information

**Caution:** Your safety and safety of your family and others depends on your safe and mature adoption, development and consistent employment of SAFE FIREARMS HANDLING PRACTICES. If you are unfamiliar with firearms, seek further advice through safe handling courses run by your local gun clubs, approved instructor, or similar qualified organizations. Warning: It is possible that a live round may

- To reduce the possibility of an accidental discharge, do not place your finger on the trigger until the firearm is pointed at the target and you intend to fire. When handling, carrying, or holstering the pistol make sure that the trigger cannot be snagged by a foreign object. This can discharge the pistol.

If you do not want the firearm to fire, keep your finger off the trigger.

- Be sure of your target and what is around and beyond it. The bullet fired from your pistol can travel over a mile, and has the potential to kill or seriously injure someone at that distance! You must positively identify your target as something you intend to shoot. Fire only with a safe backstop behind your target—something that will stop and contain the projectiles you fire, even if you miss the target or your bullet passes through it.

- Whenever you handle a firearm that, even momentarily, has been out of your direct control, start by checking its condition to determine whether or not it is loaded. A firearm in your hands is a lethal weapon which is your responsibility, so you must check it yourself. Do not rely on someone else to check it. Do not take someone else's word for the firearm's condition. Do not rely on your memory of having checked the firearm previously, or on your belief that you left it unloaded that last time you used or handled it. Check it again yourself.

---

remain in the chamber when the magazine has been removed or inserted.

Any round in the chamber will discharge when pulling the trigger regardless of whether the magazine is inserted or removed.

Therefore, never leave the pistol unattended, even if the magazine is removed and exercise extreme caution after removing the magazine.

- Never give a firearm to anyone, or take a firearm from anyone, unless it is unloaded and the action is open. If someone hands you a firearm with the action closed ask someone who knows how to handle the firearm to open the action and allow you to verify that it is unloaded.

- When firing with a two hand grip, keep the thumb of the weak hand on the weak hand side of the firearm, never behind the slide or under the magazine.

- Any firearm, including the Desert Eagle pistol, is a dangerous device. Firearms should be unloaded when not in use. All firearms must be safely stored to prevent access by unauthorized persons, especially children.

- Load your firearm only when you are on the target range or in the field and ready to begin using it. Unload your gun as soon as you are finished shooting. Never leave a loaded gun unattended, not even for a moment.

- Always store ammunition separately from firearms.

- This manual is applicable only to the Model XIX Desert Eagle pistol. All instructions, warnings and precautions may not be applicable to any other make or model.

## **Important Safety Information**

You must personally verify that the chamber is empty before field-stripping the firearm for cleaning or any other reason.

Never place your finger on or near the trigger when operating the slide.

**Warning:** If the Desert Eagle pistol or any other firearm is carelessly or improperly

- For all sales contracts with Desert Eagle, the place of jurisdiction shall be Delaware, and Delaware State Law shall be applicable.



**Warning!** Keep your finger off the trigger and outside the trigger guard until you are aiming at a proper target and have decided to fire. Failure to do so could cause serious injury or death.



**Warning!** Keep hands, fingers and other body parts from touching the muzzle, barrel or chamber after firing, they could be burned by hot metal.



**Warning!** If dropped or struck, whether the safety is “on” or “off” any firearm may fire, causing serious injury or death. Keep the pistol chamber unloaded unless actually firing! Keep the safety “on” unless actually firing! When carrying or handling the Desert Eagle pistol, keep it pointed in a safe direction, and carry it in such a way that you can safely control the direction in which the muzzle points even if you should slip, stumble or fall.



**WARNING! ANY FIREARM MAY FIRE IF DROPPED.**



**Warning!** Fired cartridge cases ejected from the Desert Eagle pistol are extremely hot and can cause serious burns. In addition, the painful burn from a hot cartridge case can distract a shooter from keeping his firearm pointed safely, and from other safe handling practices, which can cause a dangerous situation or an accident when firing. Stay clear, and keep others clear, of the right side of the pistol where the hot cartridge cases are ejected.

Wear close-fitting clothing, avoiding clothing with open collars and necklines into which hot cartridge cases can fall. A baseball cap, visor, or other brimmed hat worn so the brim covers the top of the wearer’s safety glasses can offer additional protection to the wearer’s face and eyes, preventing hot cases from falling into any gap between the top of the safety glasses and the wearer’s forehead, possibly causing a serious burn to the eye.



**Warning!** Use only appropriate accessories for your Desert Eagle pistol. Be sure holsters, sights and sight mounts, lighting devices, and other accessories are compatible with the firearm and do not interfere with its safe operation. If in doubt, consult Magnum Research, Inc. The manufacturer is not responsible for any damage or injury caused by the use of improper accessories.

---

handled, the user could cause an unintentional discharge which could result in death, serious injury, and/or property damage.

**Caution:** The Desert Eagle pistol is classified by the Bureau of Alcohol, Tobacco, Firearms and Explosives as a firearm or dangerous weapon. It is therefore potentially lethal! Read this entire instruction manual carefully. It is essential to follow the safety instructions for your safety and the safety of others.

## **Important Safety Information**

**Warning:** The Desert Eagle pistol has several design features and internal mechanical safety features designed to prevent accidental discharges in the event that the pistol is dropped or receives a severe blow.

Like any mechanical device, when subjected to extreme forces not normally encountered in sporting, law enforcement, or military use,



**Warning!** When shooting, be alert that no one comes into the line of fire. Check the backstop and target area carefully each time before you begin to fire to make sure it is free of people.



**Warning!** Never continue to use your Desert Eagle pistol if it is not functioning properly. Never force a jammed action, as the jammed cartridge may explode if the primer is crushed or pressed against any metal part of the pistol.



**Warning!** If the sound from your ammunition does not sound normal, a low powered (“squib”) load may have left a bullet in the barrel. If this occurs, do not fire another cartridge! Unload the pistol and remove the barrel and check for a barrel obstruction. Firing a cartridge with a bore obstruction can result in destruction of your Desert Eagle pistol and potential injury or death to you or someone nearby.



### **WARNING: AMMUNITION**

Never use ammunition not specifically designed for use in your firearm. Proper ammunition for your Desert Eagle pistol will be designated on the left side of the barrel. Failure to use the correct type or caliber of ammunition may cause the firearm to jam, fail to fire, cause a bore obstruction or may generate excessive pressure which can

a part failure can occur. Therefore, extra care and strict adherence to the safety instructions and other instructions contained in this manual are mandatory to minimize the risk of accidents.

Caution: The proper and safe function of the Desert Eagle pistol cannot be assured if any parts have been altered or modified.

destroy the pistol and cause personal injury or death.

Never use non-standard, reloaded or “hand-loaded” shells. Ammunition that is improperly manufactured may fail to fire, may result in a “squib” load resulting in a bore obstruction or may generate excessive pressures which can destroy the pistol and cause personal injury or death.

Semi-jacketed bullets provide best functioning and reliability. Do not use unjacketed lead bullets. Full metal jacket bullets may be used if they have a fully encapsulated base (no open lead core base). The Desert Eagle pistols are designed for: .357 Magnum ammunition (158 grains), .44 Magnum ammunition (240 grains), and .50 Action Express ammunition (300/350 grains), in accordance with industry standards (SAAMI STD). Use of non-standard or reloaded ammunition nullifies the factory warranty. For more information about other commercial loads which work in the Desert Eagle pistol, contact:

Magnum Research, Inc.  
12602 33rd Avenue SW, Pillager, MN 56473  
Sales: 508-635-4273 | Fax: 218-746-3097

---

## **Important Safety Information**

**Warning:** Always keep the firearm unloaded until you are ready to shoot. When the firearm is loaded to not touch the trigger unless you intend to fire!

**Warning:** If the Desert Eagle pistol appears to be operating improperly for any reason, danger of an unintentional discharge exists. The firearm must be immediately unloaded and not used until it is repaired. Make



### **WARNING: RECOIL SPRING ASSEMBLY**

To prevent damage to your pistol be sure to inspect the recoil spring installation for proper arrangement before firing, (see page19 for details). Failure to do so may result in a broken pistol.



### **Warning!** All firearms are dangerous objects—pistols included. Always consider the pistol loaded. To

render it safe, first place the safety in the “on” position, then remove the magazine, and eject any remaining round by pulling the slide to the rear. It is dangerous to alter or modify this firearm in any way. Any alternations or modifications of the firing mechanism may result in this firearm becoming unsafe and nullifies the factory warranty. User is advised to read the entire manual prior to handling the pistol for the first time.



### **WARNING: LEAD EXPOSURE**

Discharging firearms in poorly ventilated areas, cleaning firearms, or handling ammunition may result in exposure to lead and other substances known to cause birth defects, reproductive harm and other serious physical injury. Have adequate ventilation at all times. Wash hands thoroughly after exposure.

Avoid eating, handling food and touching your face and eyes while handling or cleaning firearms.

---

sure that the pistol is properly repaired and checked by Desert Eagle Arms or an authorized gunsmith before using it again.

## **Important Safety Information**

### **Safety Rules:**

1. Always handle any firearm as if it were loaded to avoid unintended discharges.
2. Never point any firearm at anything you do not intend to shoot.

## **2. GENERAL DESCRIPTION**

The .357, .44, and .50 A.E. Desert Eagles are gas-operated, semi-automatic pistols. The Desert Eagle is unique in its class and represents a new functional approach in handguns. In addition to its high accuracy, it offers the convenience of firing standard rimmed .357, .44 or rebated .50 A.E. cartridges, which are widely available. Each round is automatically loaded until the magazine is empty. The slide is then held open by the slide stop lever.

## **KEY FEATURES**

The Desert Eagle Gas Operated Semi-Automatic Pistol incorporates key features:

- A safety catch is operable from either side. When in the “ON” position blocks the firing pin and at the same time disconnects the trigger from the firing mechanism.
- The pistol chamber is chrome plated to facilitate easier cartridge case extraction.
- The polygonal rifling reduces barrel wear and enhances the seal between the bullet and the bore.
- Field stripping is simple since the pistol has only six main parts, including the magazine.
- The rotating bolt interlocks with the barrel during firing.

3. Never take anyone’s word that any firearm is unloaded. Check for yourself with fingers off the trigger, and the firearm pointed in a safe direction.

4. Always be sure barrel and action are clear of obstructions. First remove the magazine and unload the pistol, then clear obstructions immediately so that firearm will function correctly and safely.

- The barrel assembly contains the gas operating system.
- Anatomically formed grip, ideal hand seating angle, and comfortable grip dimensions permit rapid, accurate, instinctive shooting.
- The combat-type trigger guard is designed for two-handed shooting.
- Closed construction gives adequate protection against dirt.
- Most parts are manufactured by precision CNC equipment to strict tolerances, and with dedication to quality, durability and modern manufacturing methods.
- The pistol comes equipped with standard combat sights. In addition, the optional fully adjustable rear sight with target-type front sight may be used.

### 3. TECHNICAL DATA

**Method of Operation:** Gas

**Rifling Type:** R.H. 6-Rib polygonal barrel

**Method of Locking:** Rotating Bolt

**Sights:** Combat sights—sight line radius, 8.5 in. (21.5 cm) (6 in. barrel)

#### 5 IN 1 DISASSEMBLY COMBINATION TOOL

(3 Figure 1)

1. **Reamer Head** – used to clean carbon

5. Never squeeze the trigger or put your finger in the trigger guard until you are aiming at the target you intend to shoot.

6. Never store a loaded firearm. Unload the Desert Eagle pistol as described on page 17. After verifying that the firearm is empty and magazine out, point the firearm in a safe direction and pull the trigger. Store the Desert Eagle pistol in the provided container in this condition only.

deposits from the gas cylinder. Remove barrel from pistol (see page 18), place reamer head in cylinder and work back and forth to remove carbon deposit.

2. **Firing Pin Tool** – used for removing the firing pin. Use tool to push in the firing pin and remove firing pin stop.

3. **Bolt Guide Pin Tool** – used to remove bolt from slide. Use tool to pull the bolt guide pin from the bottom of the slide and remove bolt.

**NOTE:** Firing pin must be removed first.

4. **Grip Pin Tool** – used to push in the grip pin at bottom of grip to allow removal of the handgrips (IWI models only).

5. **Magazine Disassembly Tool** – used to remove base for disassembly of magazine. Use on the bottom of the magazine and remove base to disassemble magazine.

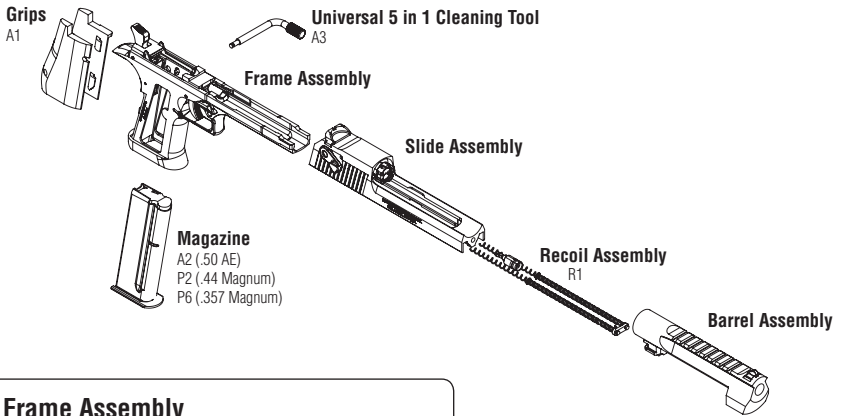


**WARNING:** Wear safety glasses when disassembling the magazine—the magazine spring is under tension and could cause serious eye injury if released suddenly.

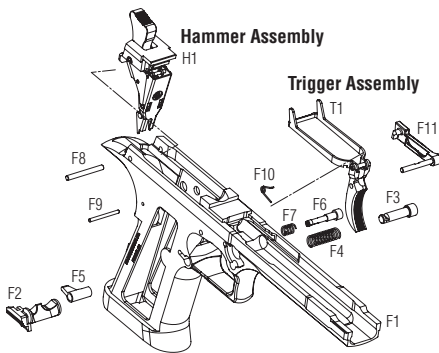
7. Never shoot at a hard surface, such as a rock, or a liquid surface, such as water. A bullet may ricochet and travel in any direction to strike you or an object you cannot see.

8. Always be sure your backstop is adequate to stop and contain bullets before shooting so that you do not hit anything outside the range area.

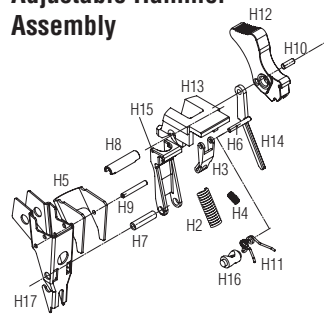
## 4. EXPLODED VIEW (DESERT EAGLE .50 A.E. PISTOL, MARK XIX)



### Frame Assembly



### Adjustable Hammer Assembly



9. Always be sure of your target and the area behind it before you shoot. A bullet can travel through or past your target up to 1 mile. If in doubt, do not shoot.

10. Always put a responsible and competent person in charge to maintain safety and discipline when a group is firing on a range to reduce the possibility of accidents.

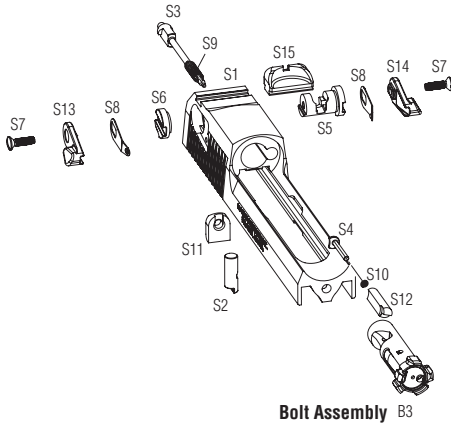
11. Always carry a firearm empty and open while at a public or private range, until you are ready to fire. Keep it pointed towards the backstop during loading, firing and unloading.

12. Never leave a firearm unattended. Anyone, especially a child, may fire it.

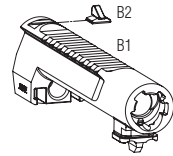
13. Never use a firearm that fails to function properly and never force a jammed action, as the jammed round may discharge.



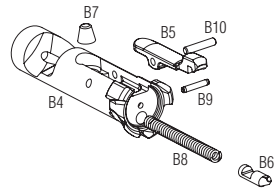
## Slide Assembly



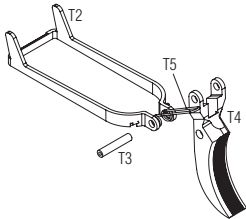
## Barrel Assembly



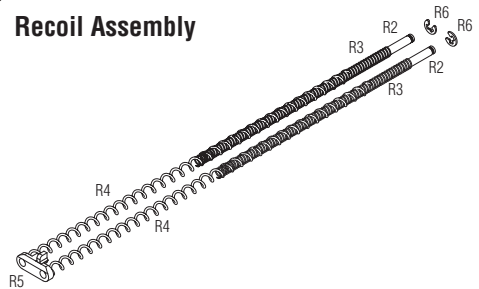
## Bolt Assembly



## Trigger Assembly



## Recoil Assembly



14. Always transport the Desert Eagle pistol unloaded with the hammer down in a locked case.

15. Failure to fire:

- Keep the firearm pointed toward the target and wait 30 seconds after it fails to fire. If a hangfire (slow ignition) has occurred, round should fire within 30 seconds. If round does not fire, remove the magazine, eject the round and check for an obstruction. Then, examine the primer. If firing pin indent on primer is

light, off center, or nonexistent, have the fire-arm examined by a competent gunsmith. If the firing pin indent on primer appears normal (like similar previously fired rounds) the ammunition may be at fault.

- Segregate misfired round from other live ammunition and empty cases, and continue firing.

**Note:** Dispose of misfired round in accordance with ammunition manufacturer's instructions.

## 5. PARTS LISTS

### DESERT EAGLE .50 A.E. PISTOL, MARK XIX

#### BARREL ASSEMBLY (Page 9)

<u>Key</u>	<u>Part Name</u>	<u>Part No.</u>
B1.	Barrel Assembly, 6" . . . . .	DE10004
B2.	Sight, Front. . . . .	DE01025

#### ADJUSTABLE HAMMER ASSEMBLY (Page 8)

<u>Key</u>	<u>Part Name</u>	<u>Part No.</u>
H1.	Hammer Assembly . . . . .	DEP200
H2.	Hammer Spring . . . . .	DE01044
H3.	Trigger Adjusting Bracket . . . . .	DE01053
H4.	Trigger Adjusting Screw . . . . .	DE01054
H5.	Securing Plate . . . . .	DE01051
H6.	Sear Spring Pin . . . . .	DE01048
H7.	Sear Bushing . . . . .	DE01047
H8.	Hammer Busing . . . . .	DE01050
H9.	Pin Mechanism. . . . .	DE01052
H10.	Hammer Pin . . . . .	DE01057
H11.	Spring Sear . . . . .	DE01074
H12.	Hammer . . . . .	DE01055
H13.	Hammer Housing . . . . .	DE01043
H14.	Hammer Rod . . . . .	DE01056
H15.	Sear . . . . .	DE01046
H16.	Hammer Spring Bracket . . . . .	DE01045
H17.	Mechanism Housing. . . . .	DE01049

#### BOLT ASSEMBLY (Page 9)

<u>Key</u>	<u>Part Name</u>	<u>Part No.</u>
B3.	Bolt Assembly . . . . .	BOLT4450
B4.	Bolt. . . . .	DE01032
B5.	Extractor. . . . .	DE01014
B6.	Ejector . . . . .	DE01011
B7.	Extractor Polymer Spring . . . . .	DE01035
B8.	Ejector Spring. . . . .	DE01015
B9.	Ejector Pin . . . . .	DE01033
B10.	Extractor Pin. . . . .	DE01034

#### FRAME ASSEMBLY (Page 8)

<u>Key</u>	<u>Part Name</u>	<u>Part No.</u>
F1.	Frame . . . . .	DE01066
F2.	Barrel Lock. . . . .	DE01062
F3.	Barrel Lock Pin . . . . .	DE01036
F4.	Barrel Lock Spring . . . . .	DE01018
F5.	Magazine Catch . . . . .	DE01063
F6.	Magazine Catch Pin . . . . .	DE01037
F7.	Magazine Catch Spring. . . . .	DE01019
F8.	Hammer Bar Pin . . . . .	DE01039
F9.	Sear Pin . . . . .	DE01038
F10.	Slide Catch Spring . . . . .	DE01020
F11.	Slide Catch Assembly . . . . .	DE01061

16. Never discharge a firearm near an animal unless it is trained to accept the noise. A startled animal could injure itself or cause an accident.

17. Never walk, climb, follow a companion or hunt with your pistol in your hand and ready to fire (in battery).

18. When preparing to fire, be sure that the area behind the slide is free of obstructions (watch your thumb) as the slide will move back sharply upon firing.

19. Never drink alcoholic beverages or take drugs before or during shooting as your vision and judgment can be seriously impaired, making your gun handling unsafe.

20. Always seek a doctor's advice if you are taking medication to be sure you are fit to shoot and handle a firearm safely.

21. Always wear ear protection when shooting, especially on a range. Without ear protection, the noise of firing can lead to cumulative long-term and permanent hearing loss.

## RECOIL SPRING ASSEMBLY (Page 9)

<u>Key Part Name</u>	<u>Part No</u>
R1. Recoil Spring Assembly . . . . .	DEP500
R2. Recoil Spring Rod (2 each) . . . . .	DE01006
R3. Inner Recoil Spring (2 each) . . . . .	DE01012
R4. Outer Recoil Spring (2 each) . . . . .	DE01013
R5. Recoil Spring Plate . . . . .	DE01027
R6. Retaining Ring (C-CLIP) . . . . .	DE01059
2 per Assembly / USA	

## SLIDE ASSEMBLY (Page 9)

<u>Key Part Name</u>	<u>Part No.</u>
S1. Slide . . . . .	DE01064
S2. Bolt Guide Pin . . . . .	DE01004
S3. Firing Pin . . . . .	DE01003
S4. Bolt Stabilizer Guide Pin . . . . .	DE01005
S5. Safety Left . . . . .	DE01007
S6. Safety Right . . . . .	DE01008
S7. Safety Screw (2 each) . . . . .	DE01009
S8. Safety Leaf Spring (2 each) . . . . .	DE01010
S9. Firing Pin Spring . . . . .	DE01016
S10. Bolt Stabilizer Spring . . . . .	DE01017
S11. Firing Pin Stop . . . . .	DE01029
S12. Bolt Stabilizer Pin . . . . .	DE01030
S13. Safety Lever Right . . . . .	DE01075
S14. Safety Lever Left . . . . .	DE01076
S15. Sight, Rear . . . . .	DE01031

## TRIGGER ASSEMBLY (Page 9)

<u>Key Part Name</u>	<u>Part No.</u>
T1. Trigger Assembly . . . . .	DEP300
T2. Trigger Bar . . . . .	DE01042
T3. Trigger Rod Pin . . . . .	DE01041
T4. Trigger . . . . .	DE01073
T5. Trigger Spring . . . . .	DE01021

## ACCESSORIES (Page 8)

<u>Key Part Name</u>	<u>Part No.</u>
A1. Grips, Hogue Rubber 2-Piece . . . . .	DE01085
A2. Magazine, .50 AE, 7 rd. . . . .	MAG50
A3. Universal 5 in 1 Cleaning Tool . . . . .	DEP151
A4. Muzzle Brake, .50 AE . . . . .	DEPMB50

## PARTS/ ACCESSORIES UNIQUE TO .44 MAGNUM

<u>Key Part Name</u>	<u>Part No.</u>
P1. Barrel Assembly, 6" . . . . .	BAR446
P2. Magazine, .44 Magnum, 7rd. . . . .	MAG44
P3. Bolt Assembly, .44 Magnum . . . . .	BOLT4450
P4. Muzzle Brake, .44 Magnum . . . . .	DEPMB44

## PARTS/ ACCESSORIES UNIQUE TO .357 MAGNUM

<u>Key Part Name</u>	<u>Part No.</u>
P5. Barrel Assembly, 6" . . . . .	BAR357
P6. Magazine, .357 Magnum, 7rd. . . . .	MAG357
P7. Bolt Assembly, .357 Magnum . . . . .	BOLT357
P8. Extractor, .357 Magnum . . . . .	DE30003
P9. Ejector, .357 Magnum . . . . .	DE30005

22. Always wear protective shooting glasses for eye protection. Do not hold an auto-loading pistol near your eye or face as the slide will move back sharply upon firing.

23. Always make sure that any firearm is unloaded before cleaning, storing or transporting. When handing the Desert Eagle pistol to another person, be sure that the slide is locked open with the magazine removed.

24. Always keep clear and keep others clear of the ejection port, as spent cartridges are ejected with enough force to cause injury.

25. Never place fingers in the ejection port; they could be injured by the slide moving forward unintentionally.

26. Never place fingers on a hot slide or barrel during or after firing, as they could be burned by the hot metal.

## 6. SPECIFICATIONS

	<b>Mark XIX .50 A.E.</b>	<b>Mark XIX .44 Magnum</b>	<b>Mark XIX .357 Magnum</b>
Length, with 6-inch barrel	10.75 in. (27.3 cm)	10.75 in. (27.3 cm)	10.75 in. (27.3 cm)
Length, with 10-inch barrel	14.75 in. (37.5 cm)	14.75 in. (37.5 cm)	14.75 in. (37.5 cm)
Height	6.25 in. (15.9 cm)	6.25 in. (15.9 cm)	6.25 in. (15.9 cm)
Width	1.25 in. (3.2 cm)	1.25 in. (3.2 cm)	1.25 in. (3.2 cm)
Trigger reach	2.75 in. (7.0 cm)	2.75 in. (7.0 cm)	2.75 in. (7.0 cm)
Sight radius (with 6-inch barrel)	8.5 in. (21.5 cm)	8.5 in. (21.5 cm)	8.5 in. (21.5 cm)
Weight with empty magazine (6-inch)	4 lbs. 6.2 oz. (1990.14 grams)	4 lbs. 6.2 oz. (1990.14 grams)	4 lbs. 6.2 oz. (1990.14 grams)
Polygonal rifling (right-hand twist)	1 turn in 19 in. (48.3 cm)	1 turn in 18 in. (45.7 cm)	1 turn in 14 in. (35.5 cm)
Magazine capacity	7 rounds	8 rounds	9 rounds
Bore diameter	0.495 in. (12.6 mm)	0.429 in. (10.9 mm)	0.357 in. (9.1 mm)

27. Only use high-quality commercially manufactured ammunition, in excellent condition and in the correct caliber for your pistol. The use of reloaded ammunition will void the warranty because reloads or poor quality ammunition may not meet industry specifications (SAAMI and/or NATO), may exceed pressure limits and could be unsafe.

28. Do not shoot the Desert Eagle pistol near any part of your body as the slide will move back sharply upon firing.

29. Always unload the firearm immediately after firing.

30. Do not allow anyone to handle or attempt firing the Desert Eagle pistol until they have read and understood this manual.

---

---

---

---

---

---

---

---

---

---

---

---

---

---

---

---

---

---

---

---

---

---

---

---

---

---

---

---

---

---

## 7. OPERATING PRINCIPLES

FOR TESTING FUNCTION, ALWAYS USE AN UNLOADED PISTOL WITH AN EMPTY CHAMBER AND WITHOUT THE MAGAZINE INSERTED.

Before firing the pistol, the bolt is locked by three lugs in the barrel assembly. When firing the pistol, propellant gases pass through a hole underneath the bore of the barrel into the gas cylinder and push the piston, which moves the slide backwards. During this movement the pressure in the chamber is reduced, and the bolt is unlocked and carried to the rear by the slide. When the bullet has left the barrel, the empty cartridge case is extracted and ejected by the continuing movement of the slide and the bolt to the rear. At the same time, the slide pushes the hammer downward into the cocked position where it is retained by the sear. The recoil springs are compressed.

### FORWARD MOVEMENT

When the recoil springs expand they drive the slide and bolt forward. The bolt cannot rotate because the stabilizer pin retains it. When the bolt pushes another round from the magazine and inserts it into the chamber, the locking lugs on the bolt come into contact with the recesses in the barrel and the bolt is rotated, which locks the cartridge in the chamber. Now the trigger bar is opposite the recess in the safety, and can move upward engaging the sear. When pulling the trigger, the sear releases the hammer, which hits the firing pin and fires the chambered cartridge.

When the last cartridge is fired and the empty case is ejected, the slide is retained in its rear position by the slide catch. The slide catch is actuated by the magazine follower. The catch releases the slide when depressed by hand or when the slide is pulled slightly to the rear.

## PROPER GRIP FOR SHOOTING THE DESERT EAGLE

Improper grip is one of the most common “problems” reported to our service team. Use a two-handed grip with the trigger hand “pushing” and the off hand “pulling” to create a stable platform. Maintain your push-pull grip throughout the firing sequence, absorbing recoil in your shoulders - NOT your wrists. The shooter must provide enough resistance when firing the gun for the slide to fully move rearward and eject the fired case. You cannot shoot the Desert Eagle pistol like your 1911 semi-auto.

### SAFETY FEATURES

The safety catch levers are located at the rear of the slide, just below the rear sight. They are accessible from either side of the pistol. When moving the front end of the safety catch lever downward, the safety catch is engaged and red dot is visible. In this position the firing pin movement is stopped by the safety catch and the trigger bar, which is pushed down and cannot engage the sear, which neutralizes the trigger.

**NOTE:** Due to the above features, it is not possible to engage the sear when the bolt is not locking properly. Because of the unique blocking of the firing pin by the safety, the pistol will not fire when dropped accidentally on its hammer or on its muzzle when the safety is properly engaged (on “SAFE”)

## 8. OPERATING INSTRUCTIONS

### SAFETY CHECKS

1. Pull hammer slightly to the rear until a click is heard; the hammer is now in semi-cocked position.
2. Move the front end of the safety catch lever down into the “SAFE” position.

3. Press the magazine release button on the left hand side of the pistol and remove the magazine. (8. Figure 1)



4. Draw the slide to the rear, check the chamber visually to ensure that the pistol is unloaded and release the slide.

5. Point the pistol in safe direction and pull the trigger to check whether the safety is working properly (the hammer should not move).

6. Move the safety lever up into the "FIRE" position; a red dot will be visible.

7. Pull the trigger to release the hammer.

8. Pull the hammer into semi-cocked position and move the safety catch lever into the "SAFE" position.

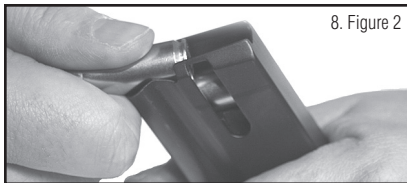
## FILLING AND EMPTYING THE MAGAZINE

**WHEN LOADING THE DESERT EAGLE PISTOL, ALWAYS BE SURE THAT THE PISTOL IS POINTED IN A SAFE DIRECTION AND THAT THE TRIGGER FINGER IS OUT-SIDE OF THE TRIGGER GUARD AND WELL AWAY FROM THE TRIGGER.**

USE ONLY AMMUNITION OF THE PROPER CALIBER AS SPECIFIED ON THE FIREARM.

### Filling Magazine:

1. With the magazine in an upright position, place the cartridge rim on the magazine follower, in front of the magazine lips. (8. Figure 2)
2. Press the cartridge down and under the magazine lips to the rear.



3. Repeat until loaded (9 cartridges .357 Magnum; 8 cartridges .44 Magnum; 7 cartridges .50 A.E.)

**NOTE:** Number of cartridges in the magazine can be verified by the indicator holes in the side of the magazine.

**NOTE:** Be sure that all rounds are pressed fully to the back of the magazine.

### Emptying Magazine:

1. Push the cartridge forward with the thumb.
2. Repeat until the magazine is empty.

## SIGHTS AND ZEROING

### Fixed Sights (Standard):

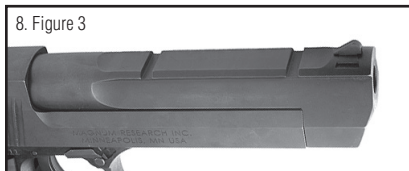
The standard sights consist of a rear sight and a front sight. Both are combat type. They are designed to ensure rapid and accurate aiming. The square notch on the rear sight is 3 mm wide. The sight line radius is 210 mm on a 6" barrel.

### Adjustable Sights:

The existing dovetail slots are designed to accommodate front target type sights and rear adjustable sights, available as an accessory option.

### Installing an Optical Device:

The 7/8 inch rib on top of barrel has cross slots to allow installation of Weaver style rings or a red dot device. (8. Figure 3)

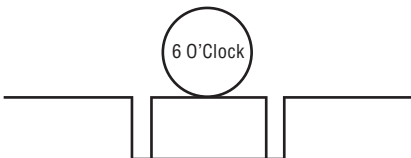


## Zeroing:

Desert Eagle pistol combat sights are designed for 6 o'clock hold with top of front sight level with top of rear sight.

## Windage:

Adjust by shifting the rear sight (or the front sight) left or right as required. Move the rear sight the same direction you want the bullets to go.



## LOADING AND FIRING

### Pre-loading & Pre-firing checks:

1. Perform safety check (see page 14) to check that the pistol is not loaded.
2. Make sure the barrel is clean and free of obstruction.
3. Check that the magazines are clean and properly loaded.
4. Always wear ear and eye protection when firing the pistol.

**WHEN LOADING THE DESERT EAGLE PISTOL, ALWAYS BE SURE THAT THE PISTOL IS POINTED IN A "SAFE" DIRECTION AND THAT THE TRIGGER FINGER IS OUTSIDE OF THE TRIGGER GUARD AND WELL AWAY FROM THE TRIGGER.**

**USE ONLY AMMUNITION OF THE PROPER CALIBER AS SPECIFIED ON THE FIREARM.**

### Cocking the Pistol:

1. Never chamber a round unless you are ready to fire.

2. Insert the magazine into the magazine well at the base of the grip until the magazine catch engages fully. The magazine will have about 1/16 in. play when seated properly. Do not push up on the magazine when firing or jamming will occur.

3. Release the slide by depressing the slide catch or grasp the slide, pull it all the way back and release it. (8. Figure 4) This operation cocks the hammer and chambers a cartridge.

4. The Desert Eagle is now ready to fire.



**Note:** Do not load an individual round into the chamber and then close the slide. This can damage the extractor. Only chamber rounds from the magazine as described above.



**WARNING:** This pistol is now loaded and cocked with the safety catch lever in the "FIRE" position; therefore, make sure that the barrel is positioned in a safe direction.

**IF YOU PULL THE TRIGGER, THE PISTOL WILL FIRE.**

### Firing the Pistol:

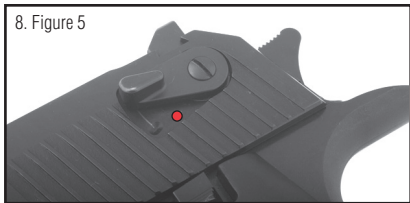
With the pistol pointed at the target, move the safety catch lever up to "FIRE" position exposing the red dot (8. Figure 5, page 17) and pull the trigger.

### Reloading during Firing:

1. The slide remains in the rearward or open position when the magazine is empty.



8. Figure 5



2. Move safety catch lever down to the "SAFE" position.

3. Remove the empty magazine by pushing the magazine catch on the front of the left grip (8. Figure 6) and pulling the magazine from the magazine well.



4. Insert a full magazine. Release the slide by depressing the slide catch or by pulling the slide slightly to the rear and releasing it. (8. Figure 7)

8. Figure 7



5. Move safety catch to "FIRE" position only when pointed at target.



**WARNING:** The pistol is now loaded and cocked with the safety catch lever in the "FIRE" position. The pistol should only be pointing at the target. IF YOU PULL THE TRIGGER, THE PISTOL WILL FIRE.

If slide is difficult to release in this manner, proceed as follows:

1. Hold pistol with both hands.
2. Place left thumb on slide catch,
3. Place right thumb on top of left thumb.
4. Push straight down keeping your finger off the trigger until ready to shoot.

### Unloading the Pistol:

**When unloading the Desert Eagle, always point it in a safe direction and make sure that the trigger finger is outside of the trigger guard and well away from the trigger.**

1. Place the safety catch lever in the "SAFE" position.
2. Press the magazine release button and remove the magazine.
3. Pull the slide fully to the rear and eject the chambered cartridge. Check visually that the chamber is empty.
4. Allow the slide to spring forward by releasing it.
5. Point the pistol in a safe direction and place the safety catch lever in the "FIRE" position. Lower the hammer with your thumb while pulling the trigger, releasing tension on the hammer.
6. Pull the hammer back into its semi-cocked position and place the safety catch lever in the "SAFE" position.
7. Empty the magazine (see page 15).

**CAUTION:** Always unload your Desert Eagle pistol immediately after use and prior to cleaning and storage to minimize the risk of accidental discharge.

## 9. DISASSEMBLY AND ASSEMBLY

BEFORE DISMANTLING OR CLEANING THE DESERT EAGLE PISTOL, BE ABSOLUTELY SURE THE PISTOL IS UNLOADED.

(Follow the unloading instructions on page 17.)

### GENERAL

**NOTE:** Slide disassembly, including steps for removing the bolt and firing pin, are also utilized when performing a caliber change.

The following disassembly and assembly instructions are for routine maintenance of the pistol. Disassembly or assembly of any other parts is not recommended and will void all warranties.



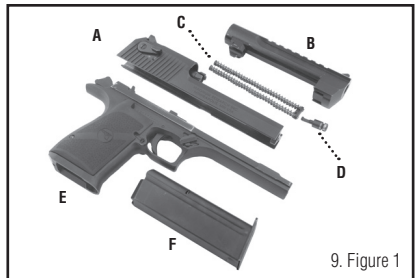
#### **WARNING: SAFETY CYLINDER**

It is possible to assemble the safety cylinder in a backward/reverse order. If this happens, the safety and fire function indicators will also be reversed. The gun will then fire when on “SAFE”. Do not disassemble the safety. For service on safety contact Magnum Research, Inc. Customer Service at 508-635-4273, Monday-Friday 8:30-4:30PM CST.

**NOTE:** Do not attempt to dismantle the recoil spring assembly. This is a factory assembled component. Improper reassembly will cause damage to the firearm and injury to the user.

For normal cleaning, the Desert Eagle should only be dismantled into its main components. (9. Figure 1)

- A. Slide
- B. Barrel
- C. Recoil Spring Assembly with Recoil Springs and Recoil Spring Guides
- D. Gas Piston
- E. Frame
- F. Magazine



9. Figure 1

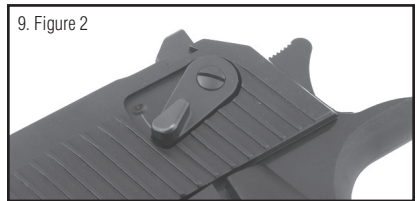
For maintaining and cleaning the Desert Eagle use only high quality, commercially available cleaning equipment, solvents and lubricants.

Disassembly should be carried out on a clean surface and the disassembled parts should be placed in order of their removal.

### FIELD STRIPPING

Perform the following operations before disassembling:

1. Remove the magazine and place the safety in the down or “ON” position. (9. Figure 2)



9. Figure 2

2. Pull the slide back and check the chamber visually and physically to make sure it is empty.

3. Point the pistol in a safe direction, move the safety lever up into the “FIRE” position and lower the hammer with your thumb while pulling the trigger.

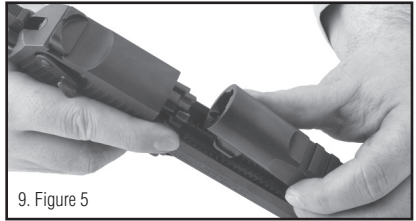
## Disassembly:

1. Pull the hammer slightly to the rear until a click is heard; the hammer is now in the semi-cocked position.
2. Move the front end of the safety catch lever down into its "SAFE" position.
3. Press the barrel lock pin in on the left side of the pistol (9. Figure 3) and at the same time swing the barrel lock on the right side of the pistol counterclockwise. (9. Figure 4)



4. Pull the barrel slightly forward to align the lugs with the relief cuts in the frame. This will allow the barrel to be lifted off the frame. (9. Figure 5)
5. The recoil spring assembly will disengage and slide out once the barrel is removed.
6. The piston, which is retained by the recoil spring assembly, can now be removed.

**CAUTION:** Protect eyes when removing the recoil spring guide. The recoil spring is under tension and may fly off guide and cause injury.

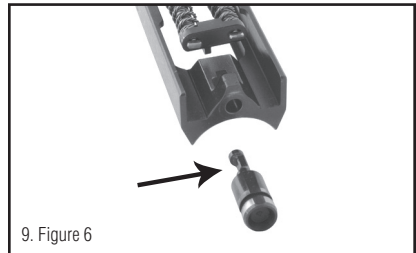


## Reassembly:

If problems occur during assembly, remove the slide and recheck the instructions.

If the slide will not go smoothly into the frame do not force it because this could cause damage and may void the warranty.

1. Turn the slide upside down and place it on a level surface.
2. Insert the piston into place. Make sure the piston shaft recess is facing the slide recess. The other piston shaft recess will face up. (9. Figure 6)



3. Engage piston shaft with the recoil spring plate lug and the slide.
4. Use your thumb to push the base of the spring plate assembly against the slide, supporting the slide all the way to align the spring assembly in parallel with the slide.
5. Keeping the spring assembly parallel to the slide, draw the frame all the way into the slide (do not compress the spring).

6. Stand the pistol upright and verify that the spring ends are correctly positioned in place (2 holes) within the frame (above the trigger).



**WARNING:** Make sure that the gas piston is in place and cannot be pulled out.

7. Insert the barrel and line up the lugs with the relief cuts in the frame recess through the slide.

8. Push against the barrel from the muzzle end and hold the barrel assembly against the frame (9. Figure 7). Now swing the barrel lock clockwise into closed position.



9. Check correct pistol operation by cocking and releasing the hammer and verify that the safety is functioning properly and safely.

**NOTE:** Be sure to wear safety glasses to prevent possible eye injury due to the spring tension. Always work in a clean area to prevent loss of small parts.

## 10. ADDITIONAL ASSEMBLY

### DISASSEMBLY OF THE MAGAZINE

1. Before disassembly, remove all cartridges from the magazine.
2. Hold magazine with base facing upward.
3. With the combination tool, push base catch inward.

4. With catch depressed, slide magazine base carefully forward.

5. Keep thumb pressed on magazine base and lift it up slowly to release the magazine spring pressure and remove the magazine base.

6. Remove magazine base catch and spring.

7. Press follower plunger in with the combination tool and push the follower from the magazine with the cleaning rod.



**WARNING:** Hold magazine spring in place during disassembly or assembly. The magazine spring is under pressure and if not held in place during disassembly or assembly may release accidentally causing injury. Do not point magazine base toward face or other person. Base catch is not attached to spring.

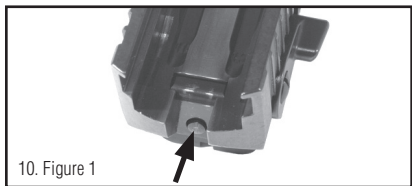
### REASSEMBLY OF THE MAGAZINE

1. Hold the magazine with the lips downward and partly insert the follower with its flat face downward.
2. Press the follower plunger in with combination tool and slide follower into magazine all the way.
3. Insert magazine spring.
4. Place base catch on spring with small tip pointing up.
5. Push magazine base to rear until the base catch engages the base.

## DISASSEMBLY OF THE SLIDE

**NOTE:** The California approved models are different in this aspect. Separate instructions are enclosed in the pistol packaging for the proper slide disassembly/reassembly of the CA approved models. Please refer to those instructions before proceeding any further.

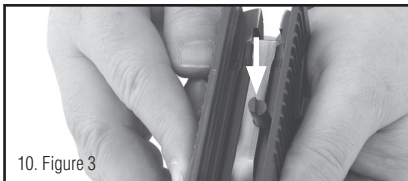
1. Make sure the safety catch lever is in the “FIRE” position.
2. Push the rear end of the firing pin in with the combination tool and slide the firing pin stop toward the bottom of the slide (10. Figure 1). The firing pin is now free to be pushed out by its spring.



3. Remove the firing pin and its spring.
4. Hold the slide upside down and push the bolt stabilizer pin to the rear. This will allow the bolt to also be pushed to the rear of the slide. (10. Figure 2)



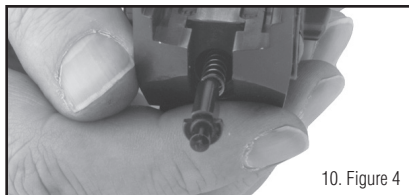
5. The bolt guide pin has a recessed area on the vertical flat of the pin. Hook the small end of the combination tool into the recess area and pull the guide pin out. (10. Figure 3)



6. Release the bolt and bolt stabilizer pin slowly. Once the spring tension is relieved remove the bolt, bolt stabilizer pin, spring and pin.

## REASSEMBLY OF THE SLIDE

1. Insert the bolt stabilizer guide pin, the bolt stabilizer spring and the bolt stabilizer. Make sure that the concave portion coincides with the bolt housing.
2. Insert the bolt into its housing in the slide and compress the stabilizer spring along with it.
3. Insert the bolt guide pin.
4. Make sure the safety catch is in the “FIRE” position.



5. Insert the firing pin into the firing pin spring. Then insert the assembly with the flat areas of the small end of the firing pin facing the right side of the slide. (10. Figure 4)
6. Insert the firing pin stop with the curved or semicircular end toward the top of the slide. Push the firing pin into the slide with the combination tool and slide the stop in until the firing pin engages the hole in the stop and the firing pin pops out through the hole in the stop.

## DISASSEMBLY OF THE TRIGGER MECHANISM ASSEMBLY

1. First remove the grip screws on the USA model or on the IWI model use the 5 in 1 tool to push in the grip pin and push the grip panels to the rear to unhook the internal tabs. These are tight fitting and may require extra effort to remove by lifting the grip panels.
2. Remove the hammer pin and sear pin with the appropriate punch. (10. Figure 5)



3. Lift the trigger mechanism assembly from the frame.

## ASSEMBLY OF THE HAMMER / SEAR MECHANISM

1. Hook the sear into the trigger bar and press the hammer mechanism assembly down; make sure that the pointed bottom ends of the hammer mechanism assembly engage the rear of the frame.
2. Insert the hammer pin and the sear pin into their respective holes.
3. From the rear, replace the grip panels by hooking the internal tabs into the frame. Replace the grip screws.

## ADJUSTABLE TRIGGER MECHANISM (ATM)

ATM enables adjustment of trigger travel to achieve higher accuracy and greater comfort when firing the pistol.

### Characteristics:

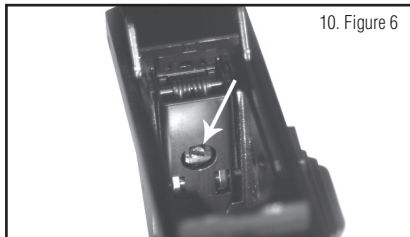
Trigger travel consists of two stages:

- In the first stage of travel, trigger force is low.
- In the second stage, pull force increases until the hammer is released.

The location of the transition between stages may be adjusted to be at any point within the trigger travel, by trigger travel adjustment.

### Adjustment:

1. The ATM is adjusted after the Desert Eagle Pistol has been field stripped (see page 18).
2. The ATM setting may be tested by cocking the hammer manually and squeezing the trigger.
3. For trigger travel adjustment, insert a screwdriver through the magazine housing opening to turn the ATM adjustment (10. Figure 6).



## 11. CARE AND CLEANING

### GENERAL

Comprehensive knowledge of how to service and handle the pistol is important. **Most failures occurring while operating the pistol are due to negligence in maintenance.** Special attention must be paid to cleaning, lubricating and inspecting the pistol to insure the pistol will function properly when using. In order to maintain accuracy, the barrel must be serviced thoroughly. The slide, the bolt and other moving parts of the pistol must be kept clean and lightly lubricated to ensure proper operation. The magazine must be kept free from rust, grit, and other particles to function properly. At regular intervals, or whenever your pistol has been exposed to sand, dust, extreme humidity, water or other adverse conditions, it must be cleaned and lubricated before using.

Before reassembling the Desert Eagle, make sure nothing from the cleaning process is left in the bore. **Discharging the pistol with anything in the bore can result in destruction of the firearm and injury or death to you or bystanders.**

Wipe the exterior of the pistol with powder solvent. Dry the exterior of the Desert Eagle pistol and then apply a thin coat of lubricant to the exterior of the firearm.

**Do not use excessive lubricant or grease on your pistol. Excessive lubricant or grease allows dust or other particles to adhere to the pistol, which interferes with the safe and reliable function of the firearm. Lubricant can penetrate the primer of ammunition and render it inoperative causing failure to fire. Before firing remove all excess lubricant from the bore of the pistol.**

### INITIAL CLEANING

1. When you first receive your pistol, disassemble (see page 18) and inspect it.
2. Clean the pistol as per periodic maintenance procedure (see below).
3. Any heavy or sticky deposits or protective material may be removed using very light rust-preventive oil. After cleaning, wipe dry and coat lightly with gun oil.
4. Never use abrasive or metallic objects, synthetic cloth, dry cleaning fluids, detergents, acids, lye, water or steam for cleaning.
5. Reassemble the pistol (see page 19) and make sure it is functioning properly.

### PERIODIC MAINTENANCE

1. Field strip the pistol (see page 18).
2. Clean all stripped parts with a lightly oiled soft cloth.
3. Attach the patch holder to the cleaning rod; slip a dry patch into the patch holder and clean the bore.
4. Clean the bore and chamber of the barrel with an oiled patch slipped through the patch holder.
5. Clean the gas cylinder.
6. While cleaning, inspect all parts for wear and damage; make sure the bore and chamber are free from rust.
7. Assemble the pistol (see page 19) and check to make sure it functions properly.

### CLEANING PRIOR TO FIRING

1. Field strip the pistol (see page 18).
2. Using the cleaning rod and patch holder, dry the chamber and bore with a clean patch.
3. Make sure that all moving parts are lightly oiled.
4. Reassemble the pistol (see page 19) and make sure it functions properly.

## CLEANING AND FIRING

1. Field strip the pistol (see page 18).
2. Disassemble the slide (see page 21).
3. Attach the brass wire brush to the cleaning rod, run the brush completely through the chamber and bore until it protrudes completely from the other end. Now pull the wire brush in the opposite direction and remove it from the barrel. Repeat this operation several times.
4. Wipe the cleaning rod dry, remove the wire brush and attach the patch holder.
5. Attach a clean patch and clean the bore; repeat this operation using clean patches until the bore is clean.
6. Oil chamber and bore with a clean oiled patch.
7. Clean the gas cylinder.
8. Oil lightly all other parts of the pistol, reassemble it (see page 19) and make sure it functions properly.

**NOTE:** After firing, use the combination tool to remove deposits from gas cylinder underneath the barrel assembly.

The cleaning tool should rotate freely from side to side in the gas cylinder when clean. **DO NOT** use any other tool for this operation since this may damage the cylinder. Make sure gas piston, springs, guides, plates, recoil spring, and channel of frame are free of all deposits.

## PROPER GRIP FOR SHOOTING THE DESERT EAGLE

Improper grip is one of the most common “problems” reported to our service team. Use a two-handed grip with the trigger hand “pushing” and the off hand “pulling” to create a stable platform. Maintain your push-pull grip throughout the firing sequence, absorbing recoil in your shoulders - NOT your wrists. The shooter must provide enough resistance when firing the gun for the slide to fully move rearward and eject the fired case. You cannot shoot the Desert Eagle pistol like your 1911 semi-auto.

---

## 12. TROUBLESHOOTING

### Failure to chamber:

- Bolt does not close fully
- Gun will not fire

Cause:	Action:
Dirty chamber	Clean.
Defective ammunition	Check for damaged cartridges.
Very dirty pistol	Check for sluggish bolt. Disassemble, clean, oil and reassemble.
Defective or dirty recoil spring	Field-strip, inspect, clean or replace if necessary.

### Failure to fire:

- Hammer snaps home but gun will not fire

Cause:	Action:
Defective cartridge	Inspect primer, if indented discard safely. If not indented, inspect firing pin for defects.
Obstructed firing pin	Disassemble bolt from slide and inspect firing pin hole for obstructions.



**Failure to feed:**

- Pistol jams
- Bolt closes on empty chamber

<b>Cause:</b>	<b>Action:</b>
Magazine improperly seated	Push magazine home to engage catch.
Magazine improperly filled	Remove cartridges and refill.
Dirty magazine	Disassemble, clean and reassemble.
Damaged magazine	Replace.
Short recoil	Clear jam. Check chamber for cleanliness. Check if return spring is correctly assembled and free of lead deposits. Check type of ammunition to make sure it is not under-powered. Must be fired with 2 hand hold and locked elbows.
Double feed	Inspect for stuck case or cartridge.
Incorrect ammunition	Change ammunition.
Pistol jams shut	Release barrel lock; if barrel does not move forward from slide, call service department.

**Failure to extract or eject:**

- Pistol will not eject case
- Pistol jams

<b>Cause:</b>	<b>Action:</b>
Underpowered or defective ammunition	Inspect ammunition and change if necessary.
Dirty or damaged barrel chamber	Inspect, clean, replace barrel if necessary.
Fouled or broken extractor or extractor spring	Clean or replace extractor or extractor spring.
Fouled or broken ejector or ejector spring	Clean or replace ejector.
Lead-fouled or broken return spring cross bar	Clean or replace. Failure to do so can lead to a broken slide.
Piston and gas cylinder or recoil spring channel in frame lead-fouled	Clean cylinder with combination tool reamer head. Clean piston and channel with a wire brush.
Spent case stuck in chamber	1. Field strip 2. Insert cleaning rod from muzzle end and tap gently to remove case. 3. If case cannot be removed, contact service department.

## 13. NOTES ON RELIABILITY

If this firearm is to be used in lawful self-defense, the user must understand that overall reliability is based upon the interaction of four factors: handgun, magazine, ammunition and user.

A handgun is only a mechanical device. It can fail to function properly despite the use of the finest materials and greatest possible care in its design and manufacture. To ensure the highest level of reliability, we suggest that you adhere to the following guidelines:

1. Obtain the guidance of a qualified or accredited firearms instructor before using a handgun.
2. Use only the highest quality factory ammunition. Avoid reloads, surplus and budget priced ammunition as well as any ammunition designed by its manufacturer for use in carbines or other shoulder-fired firearms. At times, a particular model of handgun will not reliably function with a specific brand or loading of ammunition. Selected ammunition should be test fired (100 round minimum) to ensure reliability.

Also, ammunition manufacturers can make changes to their ammunition such as substituting a different powder or primer. Consequently, ammunition which proved reliable in the past may suddenly begin to cause malfunctions. Inspect all ammunition for visible defects before loading it into the magazine.

3. Use only Magnum Research, Inc. provided magazines. Consider purchasing extra magazines so that they may periodically be rotated, allowing the magazine spring to relax. When inserting a magazine into the handgun, listen for it to click into place then pull down on the magazine base to make sure that it is seated and locked.

4. Improper shooting technique and grip can cause a variety of malfunctions such as a failure to properly eject or feed. Also, some loadings of ammunition are more sensitive to improper shooting technique or grip than others. Maintain a firm but comfortable grip on the handgun. The shooting arm should supply resistance to the handgun rather than serving as a shock absorber.

## 14. WARRANTY AND LIABILITY EXCLUSIONS

Notwithstanding the provisions contained in any other printed warranty statement(s) made by Magnum Research or by one of Magnum Research' affiliates, the following exclusions from warranty, among others, shall apply:

1. If the pistol is dismantled by the purchaser or by third parties further than described in this manual, and if, as a result of inappropriate handling or incomplete reassembly, damage or malfunctions are caused, as a result of which the safety devices are rendered ineffective, then the purchaser shall forfeit any claim to guarantee against damages thereby incurred to persons or property.
2. Any change to the basic construction of the weapon, in particular by the circumvention of the safety devices, is strictly prohibited for safety reasons, and precludes the use of the weapon.
3. No liability whatsoever can be accepted in the case of criminal misuse, negligence, resale, use under the influence of drugs or alcohol, modifications, careless handling, etc.
4. No liability whatsoever can be accepted if the pistol is fired with any ammunition other than top-quality, commercially manufactured ammunition of the proper caliber specified on the firearm itself. Inexpertly manufactured or reloaded ammunition must not be used.

**NOTE:** All liability is excluded in the event that the instructions in this manual are not observed.

**Pistols shipped to the factory must be sent prepaid. The Desert Eagle service department cannot accept collect shipments.**

The Federal Gun Control Act does not prohibit an individual from shipping a firearm directly to the manufacturer for service or repair. However, some states or localities prohibit this. If you live in such a location, please have a Federally Licensed Firearms dealer ship the gun. It will be returned to the dealer after being serviced.

**WE RECOMMEND HANDGUNS ARE SHIPPED PREPAID VIA UPS® OR FEDEX®.**

Enclose a letter that includes reference to the factory “Return Authorization” Number, your name, address, telephone number, and serial number and model of the firearm. Describe in detail the trouble you have experienced with your firearm, or the work you wish to have done. Stating only that the firearm “needs repair” is inadequate information. Please enclose copies of any previous correspondence. Please do not include holsters, custom grips, or accessories with any firearm being shipped to the factory for service.

Service work performed, other than approved warranty repairs, will carry a minimum charge of \$65.00 plus a \$40.00 return shipping and handling charge.

Retain your tracking number when shipping firearms for repair. This will allow you to track the status of your firearm shipment either by phone or the website of the carrier. Please allow three weeks for the return of a handgun.

Desert Eagle Arms ships repaired firearms via FEDEX “Adult Signature Required”. Please make sure the “Adult Signature Required” from FEDEX is not waived for your address. If “Adult Signature Required” is waived at your address then you are responsible for any loss as a result.

## 15. CONTACT AND SHIPPING

For Owners within the United States:  
MAGNUM RESEARCH, INC.®  
12602 33rd Avenue SW, Pillager, MN 56473  
Phone: 508-635-4273 | Fax: 218-746-3097  
E-mail: info@magnumresearch.com

- Call or e-mail the Customer Service Dept. for a return authorization number and shipping instructions.
- Ensure that the pistol is unloaded.
- DO NOT SHIP ANY AMMUNITION.
- Enclose a letter which includes your full name and address (no P.O. Boxes, please), daytime telephone number, e-mail address, the serial number of the pistol, and details of the problem experienced (stating the brand and type of ammunition used when the problem occurred) or work desired.
- Record the serial number before shipping, in case you wish to check on the repair status of your pistol.
- Please remove all custom parts and accessories, such as stocks, special sights, or holsters from your pistol before returning.
- Place the pistol in its original case or in a similarly secure container and pack securely.
- When returning a pistol, please include all magazines ensuring they are unloaded; they are important to the proper function of the pistol.
- The package must NOT bear any markings which indicate the identity of the contents.
- It is most important that you comply with federal, state, and local laws and regulations. The following guidelines are meant to help, but you must seek assistance from the appropriate authorities if necessary.
- If your pistol must be replaced, it may be necessary to ship the replacement to a dealer rather than directly to you. You will be requested to furnish a signed FFL (Federal Firearms License) from your dealer in such an instance.

- Warranty repair work will begin upon receipt and examination of the pistol. If the repairs are not covered by warranty our professionally trained gunsmiths will repair the pistol and notify you of the charges. If the requested work will exceed \$100.00 they will notify you prior to starting the work. Repairs and modifications will begin upon receipt of payment.

## 16. LIMITED ONE-YEAR WARRANTY

Magnum Research, Inc.® firearms are warranted to be free from defects in material and workmanship. Any such defect of which Magnum Research, Inc.® is given written notice as provided below within one year and ten days from the date of first purchase by customer will be remedied by Magnum Research, Inc.® without notice.

This warranty is granted by Magnum Research, Inc.® to the original purchaser of a new Magnum Research firearm.

Warranty claims (in writing) and the firearm concerned should be directed (freight prepaid), to the Warranty Service Department, Magnum Research, Inc.®, 12602 33rd Avenue SW, Pillager, MN 56473.

Warranty claim letters should state the model and serial number of the gun concerned, a description of the difficulty experienced, the date of purchase, your name, billing address, a daytime phone number, and e-mail address. Remember to ship to Magnum Research, Inc.® freight prepaid. It is recommended to please use a delivery service able to track and/or insure your return item since Magnum Research, Inc.® will accept no responsibility for loss or damage in transit.

Transportation and insurance charges for return to the owner will be paid by Magnum Research, Inc.® if the related claim is a proper claim for warranty work.

Under no circumstances shall Magnum Research, Inc.® be responsible for incidental or consequential damages with respect to economic loss or injury to property, whether as a result of breach of express or implied warranty, negligence or otherwise. Some states do not allow the exclusion or limitation of incidental or consequential damages, so the above limitation may not apply to you. Magnum Research, Inc.® will not be responsible for result of careless handling, unauthorized adjustments, defective, low quality, reloaded or improper ammunition, corrosion, neglect, ordinary wear and tear, or unreasonable use. Furthermore, the liability of Magnum Research, Inc.® under this warranty shall be limited solely to the obligation to replace or repair the firearm and to pay the related transportation charge to the facility of Magnum Research, Inc.®

This warranty gives you specific legal rights, and you may also have other rights which vary from state to state.

PLEASE NOTE: Handguns and long guns are classified as FIREARMS or DANGEROUS WEAPONS. Guns are surrendered by Magnum Research, Inc.® with the express understanding that it assumes no responsibility for re-sale handling under local laws and regulations.

### WHAT IS NOT COVERED BY THIS WARRANTY?

- Failure to provide proper care and maintenance
- Accidents, abuse or misuse
- Hand loaded, reloaded or improper ammunition
- Barrel obstruction
- Unauthorized adjustments, repairs or modifications
- Normal wear and tear



**WARNING:** ALL FIREARMS ARE DANGEROUS OBJECTS - PISTOLS INCLUDED.

ALWAYS CONSIDER THE PISTOL LOADED. TO RENDER IT SAFE, FIRST SET THE SAFETY ON THE "SAFE" POSITION OR DOWN POSITION. REMOVE THE MAGAZINE, THEN EJECT ANY REMAINING ROUND BY PULLING THE SLIDE TO THE REAR.

IT IS DANGEROUS TO ALTER OR MODIFY THIS FIREARM IN ANY WAY. ANY ALTERATIONS OR MODIFICATIONS OF THE FIRING MECHANISM MAY RESULT IN THIS FIREARM BECOMING UNSAFE, AND WILL NULLIFY ALL WARRANTIES.

USER IS ADVISED TO READ THE ENTIRE MANUAL PRIOR TO HANDLING THIS PISTOL AND OPERATING IT FOR THE FIRST TIME.

#### **LIMITATION OF LIABILITY**

The liability of Magnum Research, Inc.® ISRAEL WEAPONS INDUSTRIES (IWI) for any and all losses and/or damage to the purchaser shall in no event exceed the purchase price of pistol. In no event shall IWI be liable for incidental or consequential damage.

IWI reserves the right to make such alterations in design, dimensions, specifications and manufacture as are deemed necessary to ensure continued improvement.



## WARRANTY REGISTRATION CARD

\_\_\_\_\_

CALIBER

\_\_\_\_\_

MODEL

\_\_\_\_\_

SERIAL NO.

\_\_\_\_\_

Date of purchase

\_\_\_\_\_

Owner's Name

\_\_\_\_\_

Address

\_\_\_\_\_

City

\_\_\_\_\_

State

\_\_\_\_\_

ZIP

\_\_\_\_\_

E-mail

\_\_\_\_\_

Dealer's Name

\_\_\_\_\_

Address

\_\_\_\_\_

City

\_\_\_\_\_

State

\_\_\_\_\_

ZIP

\_\_\_\_\_

Dealer's Telephone Number



**Magnum  
Research,  
Inc.®**

**12602 33rd Avenue SW,  
Pillager, MN 56473**